

# Prolam Product List

2024

**H4 & H5 Posts**

**H3.2 Visual Beams**

**H1.2 Visual Beams**

**H3.2 Non Visual Beams**

**H1.2 Non Visual Beams**

**PLX Portal & PLX20**



**Prolam**<sup>®</sup>

Engineered Laminated Timber

Call +64 3 526 7436 | [info@prolamnz.com](mailto:info@prolamnz.com) | [prolamnz.com](http://prolamnz.com)

# Building better together

## Hi team – thanks for choosing Prolam

Based in the Tasman, with experience spanning more than 20 years, we design, manufacture and supply glulam timber beams and posts for the residential and commercial building industry across New Zealand.

We hope you find this booklet helpful, please don't hesitate to get in touch if you want to place an order or have any questions.

## Not included in this list:

**MCA treated, H5 treated beams, Untreated, Specific Precamber and Custom sized products. Please contact us for further information.**

## Product codes

Product codes are usually the following sequence (with PLX20 and PLX Portal being exceptions):

Example code: **PLVL8H3-300100**



## Landscaping Posts - H4

	88	112	135
<b>Code</b>	<b>PLP4H4-100</b>	<b>PLP4H4-125</b>	<b>PLP4H4-150</b>
<b>2.4</b>	PLP4H4-100-2.4	PLP4H4-125-2.4	PLP4H4-150-2.4
<b>2.7</b>	PLP4H4-100-2.7	PLP4H4-125-2.7	PLP4H4-150-2.7
<b>3.0</b>	PLP4H4-100-3.0	PLP4H4-125-3.0	PLP4H4-150-3.0
<b>3.6</b>	PLP4H4-100-3.6	PLP4H4-125-3.6	PLP4H4-150-3.6
<b>Pack Qtys (Optional)</b>	<b>24</b>	<b>15</b>	<b>8</b>



Post lengths: 2.4, 2.7, 3.0, 3.6m

# Posts Visual - H5

Width & Thickness

PL8	88	112	135	180	220	260	300
Code	PLPH5-100	PLPH5-125	PLPH5-150	PLPH5-200	PLPH5-250	PLPH5-300	PLPH5-350
2.4	PLPH5-100-2.4	PLPH5-125-2.4	PLPH5-150-2.4	PLPH5-200-2.4	PLPH5-250-2.4	PLPH5-300-2.4	PLPH5-350-2.4
2.7	PLPH5-100-2.7	PLPH5-125-2.7	PLPH5-150-2.7	PLPH5-200-2.7	PLPH5-250-2.7	PLPH5-300-2.7	PLPH5-350-2.7
3.0	PLPH5-100-3.0	PLPH5-125-3.0	PLPH5-150-3.0	PLPH5-200-3.0	PLPH5-250-3.0	PLPH5-300-3.0	PLPH5-350-3.0
3.6	PLPH5-100-3.6	PLPH5-125-3.6	PLPH5-150-3.6	PLPH5-200-3.6	PLPH5-250-3.6	PLPH5-300-3.6	PLPH5-350-3.6
4.2	PLPH5-100-4.2	PLPH5-125-4.2	PLPH5-150-4.2	PLPH5-200-4.2	PLPH5-250-4.2	PLPH5-300-4.2	PLPH5-350-4.2
4.8	PLPH5-100-4.8	PLPH5-125-4.8	PLPH5-150-4.8	PLPH5-200-4.8	PLPH5-250-4.8	PLPH5-300-4.8	PLPH5-350-4.8
5.4	PLPH5-100-5.4	PLPH5-125-5.4	PLPH5-150-5.4	PLPH5-200-5.4	PLPH5-250-5.4	PLPH5-300-5.4	PLPH5-350-5.4
6.0	PLPH5-100-6.0	PLPH5-125-6.0	PLPH5-150-6.0	PLPH5-200-6.0	PLPH5-250-6.0	PLPH5-300-6.0	PLPH5-350-6.0
6.6	PLPH5-100-6.6	PLPH5-125-6.6	PLPH5-150-6.6	PLPH5-200-6.6	PLPH5-250-6.6	PLPH5-300-6.6	PLPH5-350-6.6
7.2	PLPH5-100-7.2	PLPH5-125-7.2	PLPH5-150-7.2	PLPH5-200-7.2	PLPH5-250-7.2	PLPH5-300-7.2	PLPH5-350-7.2

PL12	88	112	135	180	220	260	300
Code	PLP12H5-100	PLP12H5-125	PLP12H5-150	PLP12H5-200	PLP12H5-250	PLP12H5-300	PLP12H5-350
2.4	PLP12H5-100-2.4	PLP12H5-125-2.4	PLP12H5-150-2.4	PLP12H5-200-2.4	PLP12H5-250-2.4	PLP12H5-300-2.4	PLP12H5-350-2.4
2.7	PLP12H5-100-2.7	PLP12H5-125-2.7	PLP12H5-150-2.7	PLP12H5-200-2.7	PLP12H5-250-2.7	PLP12H5-300-2.7	PLP12H5-350-2.7
3.0	PLP12H5-100-3.0	PLP12H5-125-3.0	PLP12H5-150-3.0	PLP12H5-200-3.0	PLP12H5-250-3.0	PLP12H5-300-3.0	PLP12H5-350-3.0
3.6	PLP12H5-100-3.6	PLP12H5-125-3.6	PLP12H5-150-3.6	PLP12H5-200-3.6	PLP12H5-250-3.6	PLP12H5-300-3.6	PLP12H5-350-3.6
4.2	PLP12H5-100-4.2	PLP12H5-125-4.2	PLP12H5-150-4.2	PLP12H5-200-4.2	PLP12H5-250-4.2	PLP12H5-300-4.2	PLP12H5-350-4.2
4.8	PLP12H5-100-4.8	PLP12H5-125-4.8	PLP12H5-150-4.8	PLP12H5-200-4.8	PLP12H5-250-4.8	PLP12H5-300-4.8	PLP12H5-350-4.8
5.4	PLP12H5-100-5.4	PLP12H5-125-5.4	PLP12H5-150-5.4	PLP12H5-200-5.4	PLP12H5-250-5.4	PLP12H5-300-5.4	PLP12H5-350-5.4
6.0	PLP12H5-100-6.0	PLP12H5-125-6.0	PLP12H5-150-6.0	PLP12H5-200-6.0	PLP12H5-250-6.0	PLP12H5-300-6.0	PLP12H5-350-6.0
6.6	PLP12H5-100-6.6	PLP12H5-125-6.6	PLP12H5-150-6.6	PLP12H5-200-6.6	PLP12H5-250-6.6	PLP12H5-300-6.6	PLP12H5-350-6.6
7.2	PLP12H5-100-7.2	PLP12H5-125-7.2	PLP12H5-150-7.2	PLP12H5-200-7.2	PLP12H5-250-7.2	PLP12H5-300-7.2	PLP12H5-350-7.2



Visual Machine Finish



Bandsawn Finish  
(less 3mm each side)



Pre-Primed Finish



Sanded + Sealed Finish

Post lengths:

2.4, 2.7, 3.0, 3.6, 4.2, 4.8, 5.4, 6.0, 6.6, 7.2m + longer

# Beams Visual - H3.2

## Width & Thickness

	PL8	88	140	190	225	240	270	290	315	360	405	450	495	540	595
42	<b>Code</b>	PLVL8H3-10050	PLVL8H3-15050	PLVL8H3-20050	PLVL8H3-22550	PLVL8H3-25050	PLVL8H3-27050	PLVL8H3-30050	PLVL8H3-35050	PLVL8H3-40050	PLVL8H3-45050	PLVL8H3-50050	POA	POA	POA
63	<b>Code</b>	PLVL8H3-10075	PLVL8H3-15075	PLVL8H3-20075	PLVL8H3-22575	PLVL8H3-25075	PLVL8H3-27075	PLVL8H3-30075	PLVL8H3-35075	PLVL8H3-40075	PLVL8H3-45075	PLVL8H3-50075	PLVL8H3-55075	PLVL8H3-60075	PLVL8H3-65075
88	<b>Code</b>	N/A	PLVL8H3-150100	PLVL8H3-200100	PLVL8H3-225100	PLVL8H3-250100	PLVL8H3-270100	PLVL8H3-300100	PLVL8H3-350100	PLVL8H3-400100	PLVL8H3-450100	PLVL8H3-500100	PLVL8H3-550100	PLVL8H3-600100	PLVL8H3-650100
112	<b>Code</b>	N/A	PLVL8H3-150125	PLVL8H3-200125	PLVL8H3-225125	PLVL8H3-250125	PLVL8H3-270125	PLVL8H3-300125	PLVL8H3-350125	PLVL8H3-400125	PLVL8H3-450125	PLVL8H3-500125	PLVL8H3-550125	PLVL8H3-600125	PLVL8H3-650125
135	<b>Code</b>	N/A	PLVL8H3-150150	PLVL8H3-200150	PLVL8H3-225150	PLVL8H3-250150	PLVL8H3-270150	PLVL8H3-300150	PLVL8H3-350150	PLVL8H3-400150	PLVL8H3-450150	PLVL8H3-500150	PLVL8H3-550150	PLVL8H3-600150	PLVL8H3-650150
180	<b>Code</b>	N/A	N/A	N/A	PLVL8H3-225200	PLVL8H3-250200	PLVL8H3-270200	PLVL8H3-300200	PLVL8H3-350200	PLVL8H3-400200	PLVL8H3-450200	PLVL8H3-500200	PLVL8H3-550200	PLVL8H3-600200	PLVL8H3-650200
220	<b>Code</b>	N/A	N/A	N/A	N/A	PLVL8H3-250250	PLVL8H3-270250	PLVL8H3-300250	PLVL8H3-350250	PLVL8H3-400250	PLVL8H3-450250	PLVL8H3-500250	PLVL8H3-550250	PLVL8H3-600250	PLVL8H3-650250
260	<b>Code</b>	N/A	N/A	N/A	N/A	N/A	N/A	POA	PLVL8H3-350300	PLVL8H3-400300	PLVL8H3-450300	PLVL8H3-500300	PLVL8H3-550300	PLVL8H3-600300	PLVL8H3-650300

	PL12	88	140	190	225	240	270	290	315	360	405	450	495	540	595
42	<b>Code</b>	PLVL12H3-10050	PLVL12H3-15050	PLVL12H3-20050	PLVL12H3-22550	PLVL12H3-25050	PLVL12H3-27050	PLVL12H3-30050	PLVL12H3-35050	PLVL12H3-40050	PLVL12H3-45050	PLVL12H3-50050	POA	POA	POA
63	<b>Code</b>	PLVL12H3-10075	PLVL12H3-15075	PLVL12H3-20075	PLVL12H3-22575	PLVL12H3-25075	PLVL12H3-27075	PLVL12H3-30075	PLVL12H3-35075	PLVL12H3-40075	PLVL12H3-45075	PLVL12H3-50075	PLVL12H3-55075	PLVL12H3-60075	PLVL12H3-65075
88	<b>Code</b>	N/A	PLVL12H3-150100	PLVL12H3-200100	PLVL12H3-225100	PLVL12H3-250100	PLVL12H3-270100	PLVL12H3-300100	PLVL12H3-350100	PLVL12H3-400100	PLVL12H3-450100	PLVL12H3-500100	PLVL12H3-550100	PLVL12H3-600100	PLVL12H3-650100
112	<b>Code</b>	N/A	PLVL12H3-150125	PLVL12H3-200125	PLVL12H3-225125	PLVL12H3-250125	PLVL12H3-270125	PLVL12H3-300125	PLVL12H3-350125	PLVL12H3-400125	PLVL12H3-450125	PLVL12H3-500125	PLVL12H3-550125	PLVL12H3-600125	PLVL12H3-650125
135	<b>Code</b>	N/A	PLVL12H3-150150	PLVL12H3-200150	PLVL12H3-225150	PLVL12H3-250150	PLVL12H3-270150	PLVL12H3-300150	PLVL12H3-350150	PLVL12H3-400150	PLVL12H3-450150	PLVL12H3-500150	PLVL12H3-550150	PLVL12H3-600150	PLVL12H3-650150
180	<b>Code</b>	N/A	N/A	N/A	PLVL12H3-225200	PLVL12H3-250200	PLVL12H3-270200	PLVL12H3-300200	PLVL12H3-350200	PLVL12H3-400200	PLVL12H3-450200	PLVL12H3-500200	PLVL12H3-550200	PLVL12H3-600200	PLVL12H3-650200
220	<b>Code</b>	N/A	N/A	N/A	N/A	PLVL12H3-250250	PLVL12H3-270250	PLVL12H3-300250	PLVL12H3-350250	PLVL12H3-400250	PLVL12H3-450250	PLVL12H3-500250	PLVL12H3-550250	PLVL12H3-600250	PLVL12H3-650250
260	<b>Code</b>	N/A	N/A	N/A	N/A	N/A	N/A	POA	PLVL12H3-350300	PLVL12H3-400300	PLVL12H3-450300	PLVL12H3-500300	PLVL12H3-550300	PLVL12H3-600300	PLVL12H3-650300



Visual Machine Finish



Bandsawn Finish  
(less 3mm each side)



Pre-Primed Finish



Sanded + Sealed Finish

Beam lengths:

3.6, 4.2, 4.8, 5.4, 6.0, 6.6, 7.2, 7.8, 8.4, 9.0, 9.6, 10.2, 10.8, 11.4, 12.0, 12.6, 13.2, 13.8, 14.4, 15.0m.

# Beams Visual - H1.2

## Width & Thickness

PL8	88	140	190	225	240	270	290	315	360	405	450	495	540	595
42 <b>Code</b>	PLVL8H1-10050	PLVL8H1-15050	PLVL8H1-20050	PLVL8H1-22550	PLVL8H1-25050	PLVL8H1-27050	PLVL8H1-30050	PLVL8H1-35050	PLVL8H1-40050	PLVL8H1-45050	PLVL8H1-50050	POA	POA	POA
63 <b>Code</b>	PLVL8H1-10075	PLVL8H1-15075	PLVL8H1-20075	PLVL8H1-22575	PLVL8H1-25075	PLVL8H1-27075	PLVL8H1-30075	PLVL8H1-35075	PLVL8H1-40075	PLVL8H1-45075	PLVL8H1-50075	PLVL8H1-55075	PLVL8H1-60075	PLVL8H1-65075
88 <b>Code</b>	N/A	PLVL8H1-150100	PLVL8H1-200100	PLVL8H1-225100	PLVL8H1-250100	PLVL8H1-270100	PLVL8H1-300100	PLVL8H1-350100	PLVL8H1-400100	PLVL8H1-450100	PLVL8H1-500100	PLVL8H1-550100	PLVL8H1-600100	PLVL8H1-650100
112 <b>Code</b>	N/A	PLVL8H1-150125	PLVL8H1-200125	PLVL8H1-225125	PLVL8H1-250125	PLVL8H1-270125	PLVL8H1-300125	PLVL8H1-350125	PLVL8H1-400125	PLVL8H1-450125	PLVL8H1-500125	PLVL8H1-550125	PLVL8H1-600125	PLVL8H1-650125
135 <b>Code</b>	N/A	PLVL8H1-150150	PLVL8H1-200150	PLVL8H1-225150	PLVL8H1-250150	PLVL8H1-270150	PLVL8H1-300150	PLVL8H1-350150	PLVL8H1-400150	PLVL8H1-450150	PLVL8H1-500150	PLVL8H1-550150	PLVL8H1-600150	PLVL8H1-650150
180 <b>Code</b>	N/A	N/A	N/A	PLVL8H1-225200	PLVL8H1-250200	PLVL8H1-270200	PLVL8H1-300200	PLVL8H1-350200	PLVL8H1-400200	PLVL8H1-450200	PLVL8H1-500200	PLVL8H1-550200	PLVL8H1-600200	PLVL8H1-650200
220 <b>Code</b>	N/A	N/A	N/A	N/A	PLVL8H1-250250	PLVL8H1-270250	PLVL8H1-300250	PLVL8H1-350250	PLVL8H1-400250	PLVL8H1-450250	PLVL8H1-500250	PLVL8H1-550250	PLVL8H1-600250	PLVL8H1-650250
260 <b>Code</b>	N/A	N/A	N/A	N/A	N/A	N/A	POA	PLVL8H1-350300	PLVL8H1-400300	PLVL8H1-450300	PLVL8H1-500300	PLVL8H1-550300	PLVL8H1-600300	PLVL8H1-650300

PL12	88	140	190	225	240	270	290	315	360	405	450	495	540	595
42 <b>Code</b>	PLVL12H1-10050	PLVL12H1-15050	PLVL12H1-20050	PLVL12H1-22550	PLVL12H1-25050	PLVL12H1-27050	PLVL12H1-30050	PLVL12H1-35050	PLVL12H1-40050	PLVL12H1-45050	PLVL12H1-50050	POA	POA	POA
63 <b>Code</b>	PLVL12H1-10075	PLVL12H1-15075	PLVL12H1-20075	PLVL12H1-22575	PLVL12H1-25075	PLVL12H1-27075	PLVL12H1-30075	PLVL12H1-35075	PLVL12H1-40075	PLVL12H1-45075	PLVL12H1-50075	PLVL12H1-55075	PLVL12H1-60075	PLVL12H1-65075
88 <b>Code</b>	N/A	PLVL12H1-150100	PLVL12H1-200100	PLVL12H1-225100	PLVL12H1-250100	PLVL12H1-270100	PLVL12H1-300100	PLVL12H1-350100	PLVL12H1-400100	PLVL12H1-450100	PLVL12H1-500100	PLVL12H1-550100	PLVL12H1-600100	PLVL12H1-650100
112 <b>Code</b>	N/A	PLVL12H1-150125	PLVL12H1-200125	PLVL12H1-225125	PLVL12H1-250125	PLVL12H1-270125	PLVL12H1-300125	PLVL12H1-350125	PLVL12H1-400125	PLVL12H1-450125	PLVL12H1-500125	PLVL12H1-550125	PLVL12H1-600125	PLVL12H1-650125
135 <b>Code</b>	N/A	PLVL12H1-150150	PLVL12H1-200150	PLVL12H1-225150	PLVL12H1-250150	PLVL12H1-270150	PLVL12H1-300150	PLVL12H1-350150	PLVL12H1-400150	PLVL12H1-450150	PLVL12H1-500150	PLVL12H1-550150	PLVL12H1-600150	PLVL12H1-650150
180 <b>Code</b>	N/A	N/A	N/A	PLVL12H1-225200	PLVL12H1-250200	PLVL12H1-270200	PLVL12H1-300200	PLVL12H1-350200	PLVL12H1-400200	PLVL12H1-450200	PLVL12H1-500200	PLVL12H1-550200	PLVL12H1-600200	PLVL12H1-650200
220 <b>Code</b>	N/A	N/A	N/A	N/A	PLVL12H1-250250	PLVL12H1-270250	PLVL12H1-300250	PLVL12H1-350250	PLVL12H1-400250	PLVL12H1-450250	PLVL12H1-500250	PLVL12H1-550250	PLVL12H1-600250	PLVL12H1-650250
260 <b>Code</b>	N/A	N/A	N/A	N/A	N/A	N/A	POA	PLVL12H1-350300	PLVL12H1-400300	PLVL12H1-450300	PLVL12H1-500300	PLVL12H1-550300	PLVL12H1-600300	PLVL12H1-650300



Beam lengths:

3.6, 4.2, 4.8, 5.4, 6.0, 6.6, 7.2m

Visual Machine Finish

# Beams Non-Visual - PL8 H3.2

## Width & Thickness

PL8	88	140	190	225	240	270	290	315	360	405	450	495	540	595
42 Code	PL8H3-10050	PL8H3-15050	PL8H3-20050	PL8H3-22550	PL8H3-25050	PL8H3-27050	PL8H3-30050	PL8H3-35050	PL8H3-40050	PL8H3-45050	PL8H3-50050	POA	POA	POA
63 Code	PL8H3-10075	PL8H3-15075	PL8H3-20075	PL8H3-22575	PL8H3-25075	PL8H3-27075	PL8H3-30075	PL8H3-35075	PL8H3-40075	PL8H3-45075	PL8H3-50075	PL8H3-55075	PL8H3-60075	PL8H3-65075
90 Code	N/A	PL8H3-150100	PL8H3-200100	PL8H3-225100	PL8H3-250100	PL8H3-270100	PL8H3-300100	PL8H3-350100	PL8H3-400100	PL8H3-450100	PL8H3-500100	PL8H3-550100	PL8H3-600100	PL8H3-650100
112 Code	N/A	PL8H3-150125	PL8H3-200125	PL8H3-225125	PL8H3-250125	PL8H3-270125	PL8H3-300125	PL8H3-350125	PL8H3-400125	PL8H3-450125	PL8H3-500125	PL8H3-550125	PL8H3-600125	PL8H3-650125
140 Code	N/A	PL8H3-150150	PL8H3-200150	PL8H3-225150	PL8H3-250150	PL8H3-270150	PL8H3-300150	PL8H3-350150	PL8H3-400150	PL8H3-450150	PL8H3-500150	PL8H3-550150	PL8H3-600150	PL8H3-650150
180 Code	N/A	N/A	N/A	PL8H3-225200	PL8H3-250200	PL8H3-270200	PL8H3-300200	PL8H3-350200	PL8H3-400200	PL8H3-450200	PL8H3-500200	PL8H3-550200	PL8H3-600200	PL8H3-650200
Code	N/A	N/A	N/A	N/A	PL8H3-250250	PL8H3-270250	PL8H3-300250	PL8H3-350250	PL8H3-400250	PL8H3-450250	PL8H3-500250	PL8H3-550250	PL8H3-600250	PL8H3-650250
Code	N/A	N/A	N/A	N/A	N/A	N/A	POA	PL8H3-350300	PL8H3-400300	PL8H3-450300	PL8H3-500300	PL8H3-550300	PL8H3-600300	PL8H3-650300

PL12	88	140	190	225	240	270	290	315	360	405	450	495	540	595
42 Code	PL12H3-10050	PL12H3-15050	PL12H3-20050	PL12H3-22550	PL12H3-25050	PL12H3-27050	PL12H3-30050	PL12H3-35050	PL12H3-40050	PL12H3-45050	PL12H3-50050	POA	POA	POA
63 Code	PL12H3-10075	PL12H3-15075	PL12H3-20075	PL12H3-22575	PL12H3-25075	PL12H3-27075	PL12H3-30075	PL12H3-35075	PL12H3-40075	PL12H3-45075	PL12H3-50075	PL12H3-55075	PL12H3-60075	PL12H3-65075
90 Code	N/A	PL12H3-150100	PL12H3-200100	PL12H3-225100	PL12H3-250100	PL12H3-270100	PL12H3-300100	PL12H3-350100	PL12H3-400100	PL12H3-450100	PL12H3-500100	PL12H3-550100	PL12H3-600100	PL12H3-650100
112 Code	N/A	PL12H3-150125	PL12H3-200125	PL12H3-225125	PL12H3-250125	PL12H3-270125	PL12H3-300125	PL12H3-350125	PL12H3-400125	PL12H3-450125	PL12H3-500125	PL12H3-550125	PL12H3-600125	PL12H3-650125
140 Code	N/A	PL12H3-150150	PL12H3-200150	PL12H3-225150	PL12H3-250150	PL12H3-270150	PL12H3-300150	PL12H3-350150	PL12H3-400150	PL12H3-450150	PL12H3-500150	PL12H3-550150	PL12H3-600150	PL12H3-650150
180 Code	N/A	N/A	N/A	PL12H3-225200	PL12H3-250200	PL12H3-270200	PL12H3-300200	PL12H3-350200	PL12H3-400200	PL12H3-450200	PL12H3-500200	PL12H3-550200	PL12H3-600200	PL12H3-650200
220 Code	N/A	N/A	N/A	N/A	PL12H3-250250	PL12H3-270250	PL12H3-300250	PL12H3-350250	PL12H3-400250	PL12H3-450250	PL12H3-500250	PL12H3-550250	PL12H3-600250	PL12H3-650250
260 Code	N/A	N/A	N/A	N/A	N/A	N/A	POA	PL12H3-350300	PL12H3-400300	PL12H3-450300	PL12H3-500300	PL12H3-550300	PL12H3-600300	PL12H3-650300



Beam lengths:

3.6, 4.2, 4.8, 5.4, 6.0, 6.6, 7.2, 7.8, 8.4, 9.0, 9.6, 10.2, 10.8, 11.4, 12.0, 12.6, 13.2, 13.8, 14.4, 15.0m

Non-Visual Machine Finish

# Beams Non-Visual - PL8 H1.2

## Width & Thickness

PL8	88	140	190	225	240	270	290	315	360	405	450	495	540	595
42 Code	PL8HI-10050	PL8HI-15050	PL8HI-20050	PL8HI-22550	PL8HI-25050	PL8HI-27050	PL8HI-30050	PL8HI-35050	PL8HI-40050	PL8HI-45050	PL8HI-50050	POA	POA	POA
63 Code	PL8HI-10075	PL8HI-15075	PL8HI-20075	PL8HI-22575	PL8HI-25075	PL8HI-27075	PL8HI-30075	PL8HI-35075	PL8HI-40075	PL8HI-45075	PL8HI-50075	PL8HI-55075	PL8HI-60075	PL8HI-65075
90 Code	N/A	PL8HI-150100	PL8HI-200100	PL8HI-225100	PL8HI-250100	PL8HI-270100	PL8HI-300100	PL8HI-350100	PL8HI-400100	PL8HI-450100	PL8HI-500100	PL8HI-550100	PL8HI-600100	PL8HI-650100
112 Code	N/A	PL8HI-150125	PL8HI-200125	PL8HI-225125	PL8HI-250125	PL8HI-270125	PL8HI-300125	PL8HI-350125	PL8HI-400125	PL8HI-450125	PL8HI-500125	PL8HI-550125	PL8HI-600125	PL8HI-650125
140 Code	N/A	PL8HI-150150	PL8HI-200150	PL8HI-225150	PL8HI-250150	PL8HI-270150	PL8HI-300150	PL8HI-350150	PL8HI-400150	PL8HI-450150	PL8HI-500150	PL8HI-550150	PL8HI-600150	PL8HI-650150
180 Code	N/A	N/A	N/A	PL8HI-225200	PL8HI-250200	PL8HI-270200	PL8HI-300200	PL8HI-350200	PL8HI-400200	PL8HI-450200	PL8HI-500200	PL8HI-550200	PL8HI-600200	PL8HI-650200
220 Code	N/A	N/A	N/A	N/A	PL8HI-250250	PL8HI-270250	PL8HI-300250	PL8HI-350250	PL8HI-400250	PL8HI-450250	PL8HI-500250	PL8HI-550250	PL8HI-600250	PL8HI-650250
260 Code	N/A	N/A	N/A	N/A	N/A	N/A	POA	PL8HI-350300	PL8HI-400300	PL8HI-450300	PL8HI-500300	PL8HI-550300	PL8HI-600300	PL8HI-650300

PL12	88	140	190	225	240	270	290	315	360	405	450	495	540	595
42 Code	PL12HI-10050	PL12HI-15050	PL12HI-20050	PL12HI-22550	PL12HI-25050	PL12HI-27050	PL12HI-30050	PL12HI-35050	PL12HI-40050	PL12HI-45050	PL12HI-50050	POA	POA	POA
63 Code	PL12HI-10075	PL12HI-15075	PL12HI-20075	PL12HI-22575	PL12HI-25075	PL12HI-27075	PL12HI-30075	PL12HI-35075	PL12HI-40075	PL12HI-45075	PL12HI-50075	PL12HI-55075	PL12HI-60075	PL12HI-65075
90 Code	N/A	PL12HI-150100	PL12HI-200100	PL12HI-225100	PL12HI-250100	PL12HI-270100	PL12HI-300100	PL12HI-350100	PL12HI-400100	PL12HI-450100	PL12HI-500100	PL12HI-550100	PL12HI-600100	PL12HI-650100
112 Code	N/A	PL12HI-150125	PL12HI-200125	PL12HI-225125	PL12HI-250125	PL12HI-270125	PL12HI-300125	PL12HI-350125	PL12HI-400125	PL12HI-450125	PL12HI-500125	PL12HI-550125	PL12HI-600125	PL12HI-650125
140 Code	N/A	PL12HI-150150	PL12HI-200150	PL12HI-225150	PL12HI-250150	PL12HI-270150	PL12HI-300150	PL12HI-350150	PL12HI-400150	PL12HI-450150	PL12HI-500150	PL12HI-550150	PL12HI-600150	PL12HI-650150
180 Code	N/A	N/A	N/A	PL12HI-225200	PL12HI-250200	PL12HI-270200	PL12HI-300200	PL12HI-350200	PL12HI-400200	PL12HI-450200	PL12HI-500200	PL12HI-550200	PL12HI-600200	PL12HI-650200
220 Code	N/A	N/A	N/A	N/A	PL12HI-250250	PL12HI-270250	PL12HI-300250	PL12HI-350250	PL12HI-400250	PL12HI-450250	PL12HI-500250	PL12HI-550250	PL12HI-600250	PL12HI-650250
260 Code	N/A	N/A	N/A	N/A	N/A	N/A	POA	PL12HI-350300	PL12HI-400300	PL12HI-450300	PL12HI-500300	PL12HI-550300	PL12HI-600300	PL12HI-650300

Beam lengths: 3.6, 4.2, 4.8, 5.4, 6.0, 6.6, 7.2m



Beam lengths:  
3.6, 4.2, 4.8, 5.4, 6.0, 6.6, 7.2m

Non-Visual Machine Finish

Size	Pack Size	Size	Pack Size	Size	Pack Size
140 x 90	24	140 x 140	16	140 x 90	24
190 x 90	20	190 x 140	12	190 x 90	20
240 x 90	15	240 x 140	12	240 x 90	15
290 x 90	12	290 x 140	8	290 x 90	12
315 x 90	12			315 x 90	12

Lengths available in pack qty: 3.6, 4.2, 4.8, 5.4, 6.0m

# Non-Visual PLX Portal - H1.2

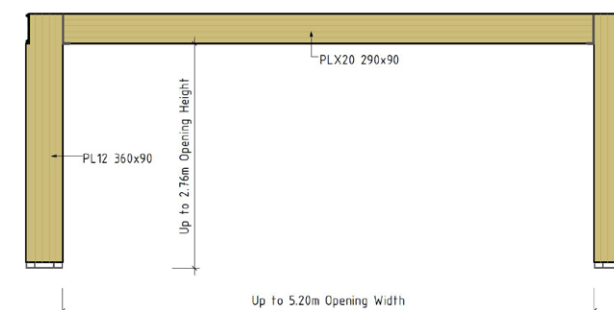
Length (m)	Height (m)		
	2.4	2.7	3.0
2.4	PLXP200H1-2.4H-2.4L	PLXP200H1-2.7H-2.4L	PLXP200H1-3.0H-2.4L
2.7	PLXP200H1-2.4H-2.7L	PLXP200H1-2.7H-2.7L	PLXP200H1-3.0H-2.7L
3.0	PLXP200H1-2.4H-3.0L	PLXP200H1-2.7H-3.0L	PLXP200H1-3.0H-3.0L
3.3	PLXP200H1-2.4H-3.3L	PLXP200H1-2.7H-3.3L	PLXP200H1-3.0H-3.3L
3.6	PLXP200H1-2.4H-3.6L	PLXP200H1-2.7H-3.6L	PLXP200H1-3.0H-3.6L
3.9	PLXP200H1-2.4H-3.9L	PLXP200H1-2.7H-3.9L	PLXP200H1-3.0H-3.9L
4.2	PLXP200H1-2.4H-4.2L	PLXP200H1-2.7H-4.2L	PLXP200H1-3.0H-4.2L
4.5	PLXP200H1-2.4H-4.5L	PLXP200H1-2.7H-4.5L	PLXP200H1-3.0H-4.5L
4.8	PLXP200H1-2.4H-4.8L	PLXP200H1-2.7H-4.8L	PLXP200H1-3.0H-4.8L
5.1	PLXP200H1-2.4H-5.1L	PLXP200H1-2.7H-5.1L	PLXP200H1-3.0H-5.1L
5.4	PLXP200H1-2.4H-5.4L	PLXP200H1-2.7H-5.4L	PLXP200H1-3.0H-5.4L
5.7	PLXP200H1-2.4H-5.7L	PLXP200H1-2.7H-5.7L	PLXP200H1-3.0H-5.7L
6.0	PLXP200H1-2.4H-6.0L	PLXP200H1-2.7H-6.0L	PLXP200H1-3.0H-6.0L

## NOTES:

Refer to product table for specification codes.

1. The Portal height is taken from floor level to top of column. For different column heights the values above may be interpolated.
2. The same bracing units apply to shorter lintel spans.

Nominal Stud Height (m)	2.4	2.7	3.0
Max. Opening Height (m)	2.26	2.46	2.76
Max. Opening Width (m)	6.0	6.0	6.0
Max. Portal Height (m)	2.55	2.75	3.05
Max. Total Portal Width (m)	6.72	6.72	6.72
Wind Bracing (BUs)	160	150	145
Earthquake Bracing (BUs)	195	185	175

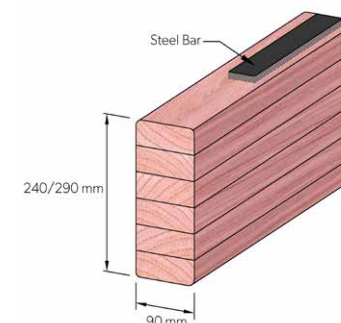


[Click here to learn more](#)

# Non-Visual PLX20 - H1.2

	240	290	
90	Code	PLX20H1-250100	PLX20H1-300100
	Code	PLX20H1-250100-3.6	PLX20H1-300100-3.6
	Code	PLX20H1-250100-4.2	PLX20H1-300100-4.2
	Code	PLX20H1-250100-4.8	PLX20H1-300100-4.8
	Code	PLX20H1-250100-5.4	PLX20H1-300100-5.4
	Code	PLX20H1-250100-6.0	PLX20H1-300100-6.0
	Code	PLX20H1-250100-6.6	PLX20H1-300100-6.6

Beam Length (m)	Steel Length (m)
3.6	3.2
4.2	3.6
4.8	4.2
5.4	4.7
6.0	5.3
6.6	6.0





# General FAQs

## What is the difference between PL8 and PL12?

The difference is the strength. PL8 products are made from finger-jointed and laminated SG8 timber, while PL12 products are made from finger-jointed and laminated SG12 timber. PL12 products demonstrate superior strength, greater stiffness properties, and provide a higher number of bracing units than PL8 products.

## What colour are H3.2 Prolam beams?

H3.2 is typically known to add a green tinge to timber, however as Prolam is machined after treatment this brings up the colour to a light brown.

## What is the difference between LVL and Prolam?

LVL (Laminated veneer lumber) refers to a manufactured timber product made from thin veneers (normally 2-3mm) glued together to form a beam. Prolam is a glulam product which is made from thicker sections of timber, generally 30-45mm thick, glued together to make a post or a beam.

## What are the coating requirements for Prolam?

All Prolam products must be coated correctly. This is essential to ensure ongoing performance (durability) as well as maintaining the appearance.

[Click here](#) to download our Coating Requirements.

## Can Prolam be substituted for LVL?

Yes we provide alternatives to several products of the LVL range.

[Click here](#) for our website page.

All substitutions need to be confirmed with a structural engineer.

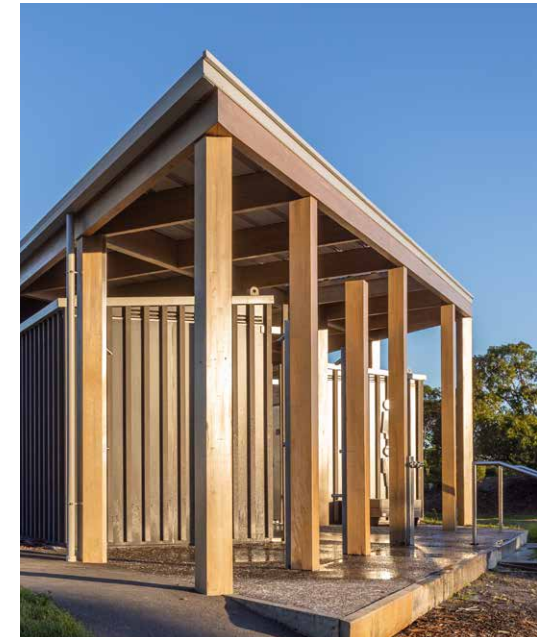
## How much does Prolam weigh?

Prolam weighs on average 550kg/m<sup>3</sup>.

Please contact us if you would like the weight of a product.

[Click here](#) to view more FAQ's on our website.

Feel free to contact us on 03 526 7436 or [sales@prolamnz.com](mailto:sales@prolamnz.com)





**Building  
better  
together**

We're here to help you.



**Prolam**<sup>®</sup>

Engineered Laminated Timber

Call +64 3 526 7436

[sales@prolamnz.com](mailto:sales@prolamnz.com)

[prolamnz.com](http://prolamnz.com)