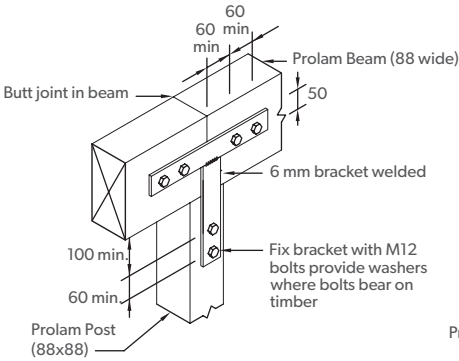
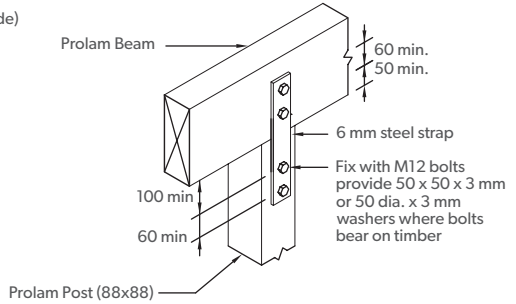


Prolam[®] Post Fixings



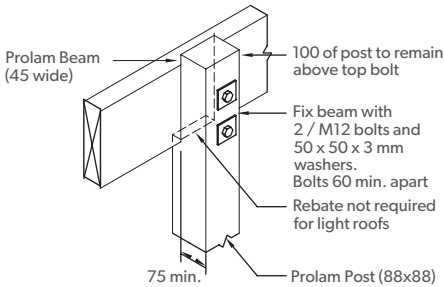
NOTE -
(1) Capacity 12.2 kN for 1 bracket.
(2) Capacity 25.5 kN for 2 brackets.

(A)



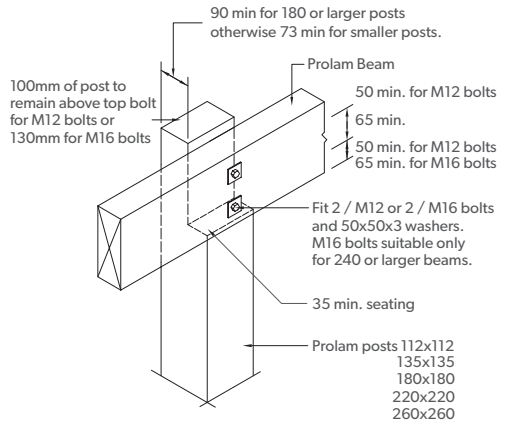
NOTE -
(1) Capacity 6.8 kN for 1 bracket.
(2) Capacity 13.7 kN for 2 brackets.

(B)



NOTE -
Capacity 6.8 kN.

(C)



BEAM FIXING

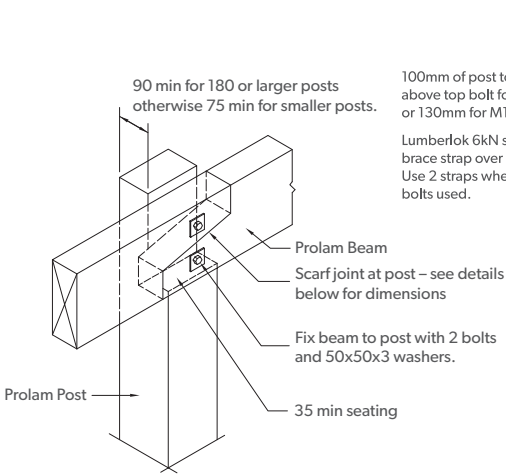
(D)

Uplift capacity
2 / M12 bolts - 7.8 kN
2 / M16 bolts - 12.0 kN

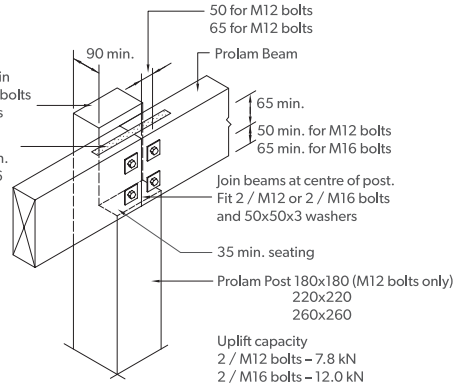
Unless otherwise stated, all dimensions are in mm.

Prolam[®]

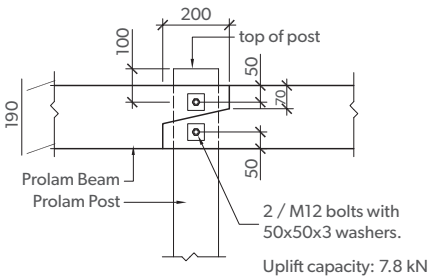
Post Fixings



SCARF JOINT AT POSTS

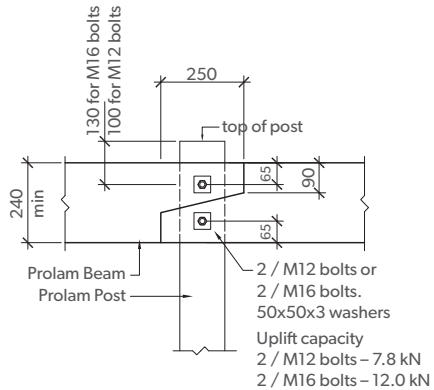


BEAM SPLICE FOR 180x180 OR LARGER POSTS



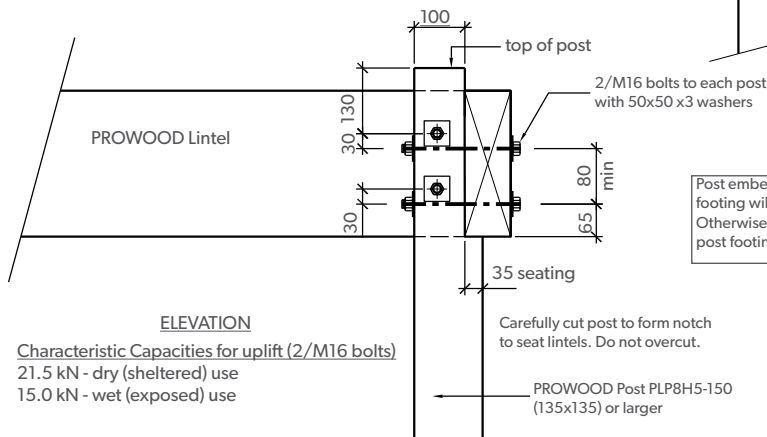
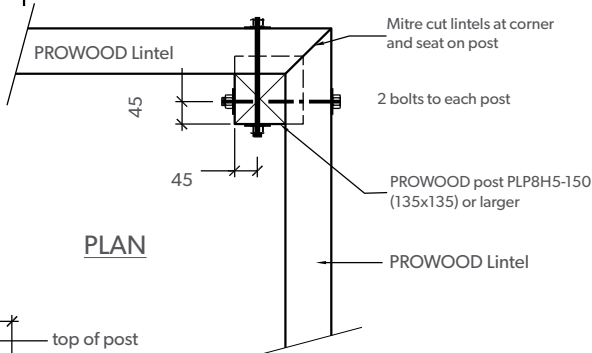
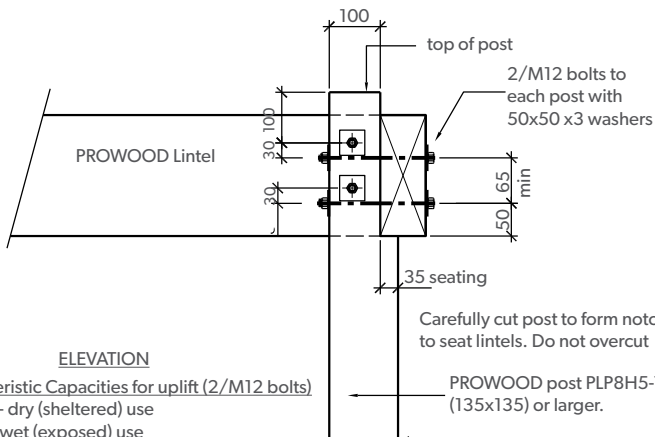
SCARF JOINT FOR 190 BEAMS

Not suitable for M16 bolts



SCARF JOINT FOR 240 OR LARGER BEAMS

Prolam[®] Corner Post Fixings



Post embedded into 450 dia x 1.2m deep concrete footing will give 20kN uplift resistance in clay soils. Otherwise refer to section 9 of NZS3604:2011 for post footing requirements to resist uplift.

CORNER POST - LINTEL CONNECTION DETAIL