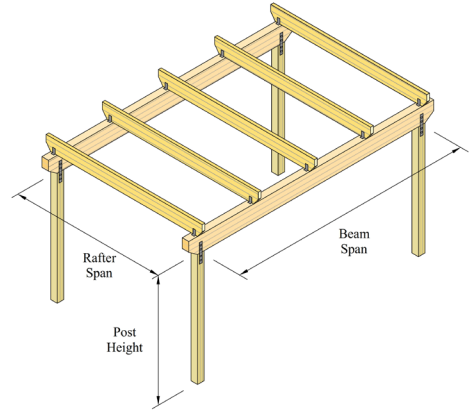


Selection Charts

Table 5

Prolam® Pergola Posts

Post to beam fixing is for lateral loads. Vertical (bearing) loads may require additional capacity. Footing depth is into Good Ground as defined by NZS3604



Size	Height (m)	Maximum Roof Area Per Post (m ²)	Footing Depth (m)	Footing Diameter (mm)	Post to beam Fixing (kN)
PLP8H5-100 88x88	1.8	3.3	0.7	300	1
	2.1	2.9	0.7	300	1
	2.4	2.6	0.7	300	1
PLP8H5-125 112x112	1.8	6.1	1	450	1.5
	2.1	5.5	1	450	1.5
	2.4	5.0	1	450	1
	2.7	4.5	1	450	1
PLP8H5-150 135x135	3	4.2	1	450	1
	1.8	10.7	1	450	2.5
	2.1	9.6	1	450	2
	2.4	8.7	1	450	2
	2.7	8.0	1	450	2
PLP8H5-200 180x180	3	7.3	1	450	1.5
	1.8	25.4	1.2	450	5.5
	2.1	22.8	1.2	450	5
	2.4	20.6	1.2	450	4.5
	2.7	18.9	1.2	450	4
PLP8H5-250 220x220	3	17.4	1.2	450	3.5
	1.8	42.6	1.5	600	9
	2.1	38.5	1.5	600	8
	2.4	35.1	1.5	600	7.5
	2.7	32.3	1.5	600	6.5
	3	29.9	1.5	600	6

Size	Height (m)	Maximum Roof Area Per Post (m ²)	Footing Depth (m)	Footing Diameter (mm)	Post to beam Fixing (kN)
PLP12H5-100 88x88	1.8	4.3	0.8	300	1
	2.1	3.8	0.8	300	1
	2.4	3.4	0.8	300	1
PLP12H5-125 112x112	1.8	8.1	1	450	2
	2.1	7.2	1	450	1.5
	2.4	6.5	1	450	1.5
	2.7	6.0	1	450	1.5
	3	5.5	1	450	1.5
PLP12H5-150 135x135	1.8	14.1	1.1	450	3
	2.1	12.7	1.1	450	3
	2.4	11.5	1.1	450	2.5
	2.7	10.5	1.1	450	2.5
	3	9.6	1.1	450	2
PLP12H5-200 180x180	1.8	33.4	1.3	450	7
	2.1	29.9	1.3	450	6
	2.4	27.1	1.3	450	5.5
	2.7	24.8	1.3	450	5
PLP12H5-250 220x220	3	22.8	1.3	450	5
	1.8	56.0	1.6	600	11.5
	2.1	50.6	1.6	600	10.5
	2.4	46.2	1.6	600	9.5
	2.7	42.5	1.6	600	8.5
3	39.3	1.6	600	8	

These span tables apply only to Prolam products