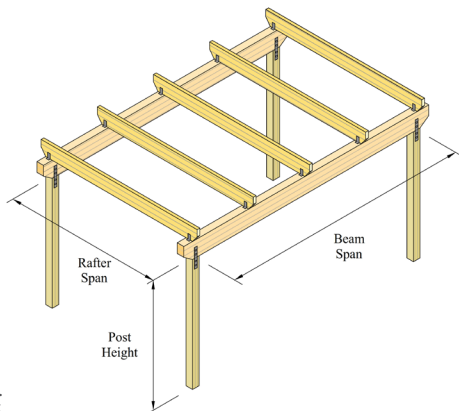


# Selection Charts



**Table 1**

## PL8 Prolam® Pergola Beams

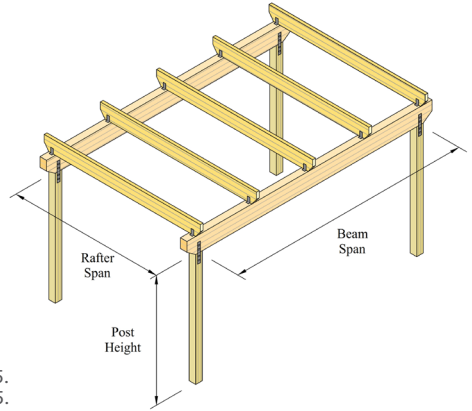
Tables are for wind zones up to High.  
 For Very High wind zone, multiply the maximum beam spans by 0.85.  
 For Extra High wind zone, multiply the maximum beam spans by 0.75.

Rafter Span (m)		1.2	1.8	2.4	3.0	3.6	4.2	4.8	5.4	6.0	
Beam Size		Maximum Beam Span (m)									
PL8	PLVL8H3-15050	140 x 42mm	2.6	2.5	2.4	2.3	2.2	2.1	2.1	2.0	2.0
	PLVL8H3-20050	190 x 42mm	4.1	3.9	3.7	3.5	3.4	3.3	3.1	2.9	2.7
	PLVL8H3-25050	240 x 42mm	5.6	5.2	4.9	4.6	4.3	3.9	3.7	3.4	3.3
	PLVL8H3-30050	290 x 42mm	6.0*	6.0*	5.8	5.2	4.7	4.3	4.0	3.8	3.6
	PLVL8H3-150100	140 x 88mm	4.2	3.9	3.6	3.4	3.2	3.1	2.9	2.8	2.8
	PLVL8H3-200100	190 x 88mm	5.6	5.1	4.8	4.5	4.3	4.1	4.0	3.8	3.7
	PLVL8H3-250100	240 x 88mm	6.0*	6.0*	5.9	5.6	5.4	5.2	5.0	4.8	4.7
	PLVL8H3-300100	290 x 88mm	6.0*	6.0*	6.0*	6.0*	6.0*	6.0*	6.0*	5.8	5.6
	PLVL8H3-150125	140 x 112mm	4.5	4.1	3.8	3.6	3.4	3.3	3.2	3.1	3.0
	PLVL8H3-200125	190 x 112mm	5.8	5.4	5.1	4.8	4.6	4.4	4.3	4.1	4.0
	PLVL8H3-250125	240 x 112mm	6.0*	6.0*	6.0*	6.0*	5.7	5.5	5.3	5.2	5.0
	PLVL8H3-300125	290 x 112mm	6.0*	6.0*	6.0*	6.0*	6.0*	6.0*	6.0*	6.0*	6.0*
	PLVL8H3-150150	140 x 135mm	4.6	4.3	4.0	3.8	3.6	3.5	3.3	3.2	3.1
	PLVL8H3-200150	190 x 135mm	6.0*	5.6	5.3	5.0	4.8	4.6	4.5	4.3	4.2
	PLVL8H3-250150	240 x 135mm	6.0*	6.0*	6.0*	6.0*	6.0*	5.8	5.6	5.4	5.3
	PLVL8H3-300150	290 x 135mm	6.0*	6.0*	6.0*	6.0*	6.0*	6.0*	6.0*	6.0*	6.0*

\*The beam lengths have been limited to a maximum of 6m.

**These span tables apply only to Prolam products**

# Selection Charts



**Table 2**

## PL12 Prolam® Pergola Beams

Tables are for wind zones up to High.  
For Very High wind zone, multiply the maximum beam spans by 0.85.  
For ExtraHigh wind zone, multiply the maximum beam spans by 0.75.

Rafter Span (m)		1.2	1.8	2.4	3.0	3.6	4.2	4.8	5.4	6.0	
Beam Size		Maximum Beam Span (m)									
PL12	PLVL12H3-15050	140 x 42mm	3.3	3.1	3.0	2.9	2.8	2.7	2.6	2.5	2.3
	PLVL12H3-20050	190 x 42mm	5.2	4.8	4.4	4.2	3.9	3.8	3.6	3.3	3.2
	PLVL12H3-25050	240 x 42mm	6.0*	6.0*	5.6	5.2	4.9	4.5	4.2	4.0	3.8
	PLVL12H3-30050	290 x 42mm	6.0*	6.0*	6.0*	6.0*	5.4	5.0	4.6	4.4	4.1
	PLVL12H3-150100	140 x 88mm	4.8	4.4	4.1	3.8	3.6	3.5	3.3	3.2	3.1
	PLVL12H3-200100	190 x 88mm	6.0*	5.8	5.4	5.1	4.9	4.7	4.5	4.4	4.2
	PLVL12H3-250100	240 x 88mm	6.0*	6.0*	6.0*	6.0*	6.0*	5.8	5.6	5.5	5.3
	PLVL12H3-300100	290 x 88mm	6.0*	6.0*	6.0*	6.0*	6.0*	6.0*	6.0*	6.0*	6.0*
	PLVL12H3-150125	140 x 112mm	5.0	4.6	4.3	4.1	3.9	3.7	3.6	3.5	3.4
	PLVL12H3-200125	190 x 112mm	6.0*	6.0*	5.7	5.4	5.2	5.0	4.8	4.7	4.5
	PLVL12H3-250125	240 x 112mm	6.0*	6.0*	6.0*	6.0*	6.0*	6.0*	6.0*	5.8	5.7
	PLVL12H3-300125	290 x 112mm	6.0*	6.0*	6.0*	6.0*	6.0*	6.0*	6.0*	6.0*	6.0*
	PLVL12H3-150150	140 x 135mm	5.2	4.8	4.5	4.3	4.1	3.9	3.8	3.7	3.5
	PLVL12H3-200150	190 x 135mm	6.0*	6.0*	5.9	5.7	5.4	5.2	5.1	4.9	4.8
	PLVL12H3-250150	240 x 135mm	6.0*	6.0*	6.0*	6.0*	6.0*	6.0*	6.0*	6.0*	5.9
	PLVL12H3-300150	290 x 135mm	6.0*	6.0*	6.0*	6.0*	6.0*	6.0*	6.0*	6.0*	6.0*

\*The beam lengths have been limited to a maximum of 6m.

These span tables apply only to Prolam products