

Selection Charts

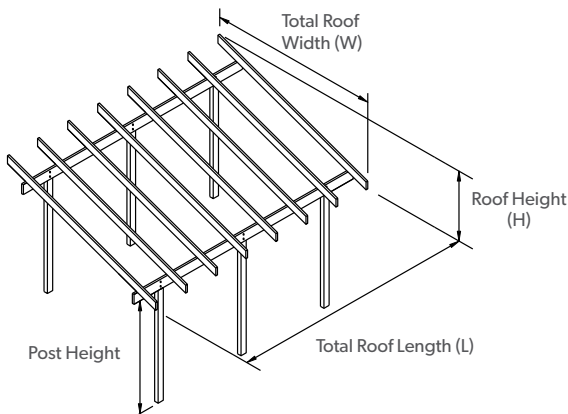


Table 12a

Prolam® Bracing Post Verandah/Carport - Free Standing
Supporting Roof and ceiling - PL8.

Post Size	Post Height (m)	Maximum plan area per post (AP) (m ²)	Maximum face area per post (AF) (m ²)	Footing Depth (m)	Footing Diameter (mm)	Post to Bearer Fixing (kN)
PLP8H5-150 135x135mm	1.80	3.0	1.1	1.0	450	6
	2.10	2.7	0.8	1.0	450	6
	2.40	2.4	0.6	1.0	450	6
PLP8H5-200 180x180mm	1.80	7.0	3.4	1.2	450	12
	2.10	6.3	2.6	1.2	450	6
	2.40	5.7	2.0	1.2	450	6
	2.70	5.2	1.6	1.2	450	6
	3.00	4.8	1.2	1.2	450	6
	3.30	4.3	0.9	1.2	450	6
PLP8H5-250 220x220mm	1.80	11.7	5.9	1.5	600	12
	2.10	10.6	5.4	1.5	600	12
	2.40	9.7	4.4	1.5	600	12
	2.70	8.9	3.5	1.5	600	12
	3.00	8.2	2.8	1.5	600	12
	3.30	7.7	2.1	1.5	600	12
	3.60	7.2	1.6	1.5	600	12
PLP8H5-300 260x260mm	2.20	16.9	8.6	1.7	600	12
	2.40	16.0	8.1	1.7	600	12
	2.70	14.7	6.9	1.7	600	12
	3.00	13.6	5.4	1.7	600	12
	3.30	12.6	4.1	1.7	600	12
	3.60	11.8	3.2	1.7	600	12
	3.90	11.1	2.5	1.7	600	12
	4.20	9.3	2.0	1.7	600	12

Note: The design parameters are specified in the design data page.

For different parameters, refer to Prolam Online Specifier at specifier.prolamnz.com

These span tables apply only to Prolam products