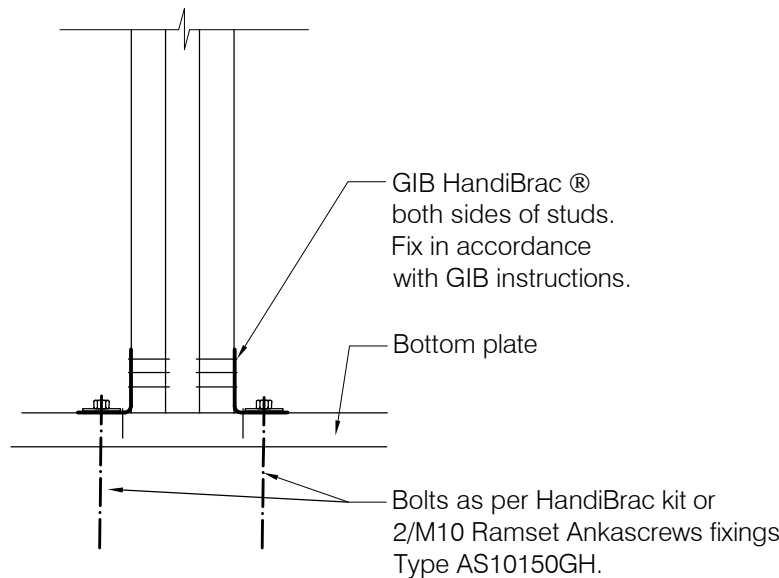
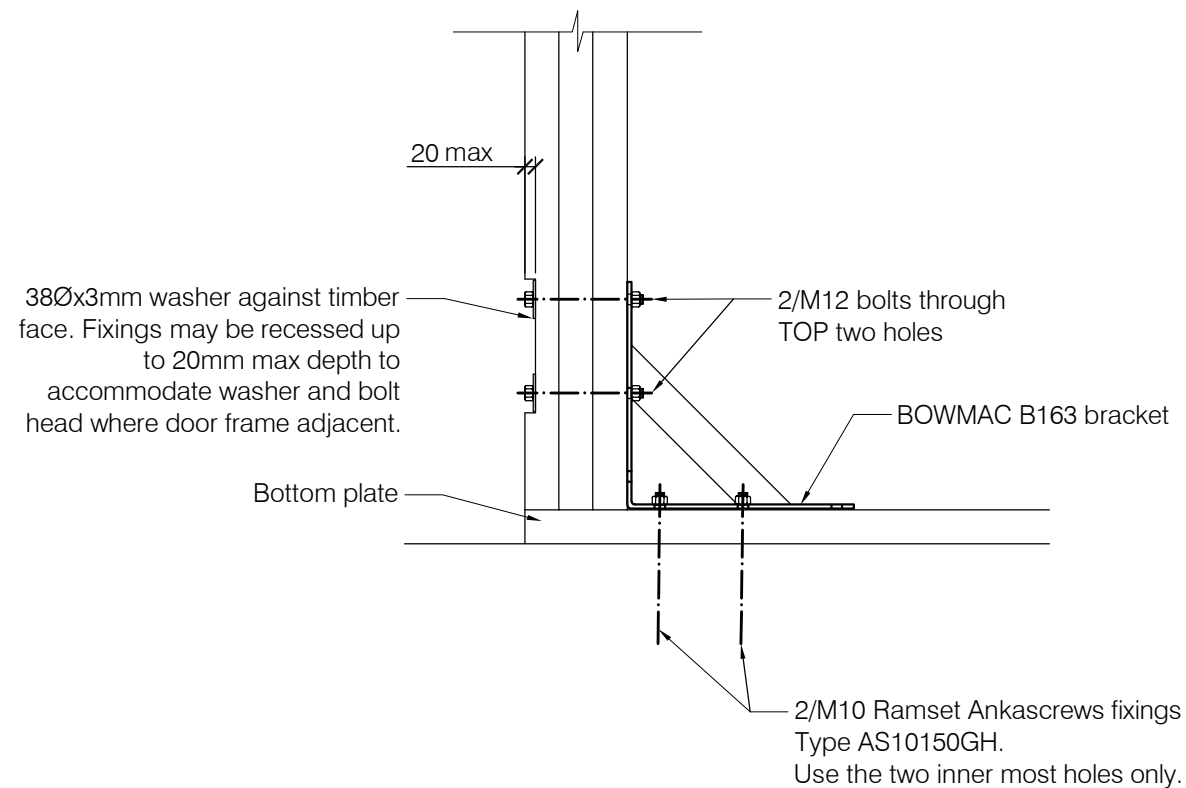


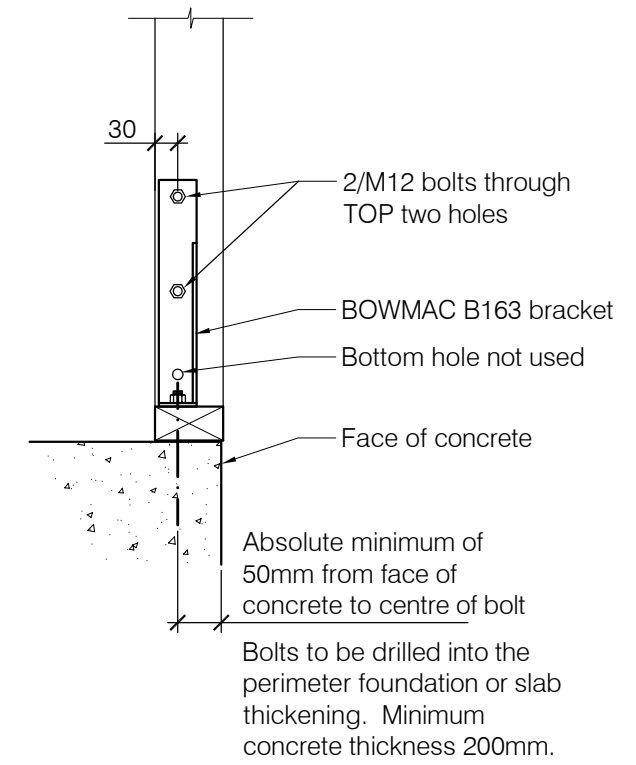
LINTEL TO STUD FIXING



ALTERNATIVE BASE FIXING FOR FRAMING BOTH SIDES OF STUDS



BASE FIXING FOR FRAMING TO ONE SIDE (eg at door frame)



T C TASMAN CONSULTING ENGINEERS Ltd
 195A Queen St
 PO Box 3631
 Richmond NELSON
 Ph: (03) 544-6404
 www.tcel.co.nz

PROLAM LINTELS - UPLIFT FIXING DETAILS
 Reduced Ultimate Capacity 18kN for wind loads.
 (Characteristic Capacity 22.5kN).

Scale	1:10 Original size A3	Sheet	S1 of 2
Date	Aug 2015	File	14265
Drawn	DJK		